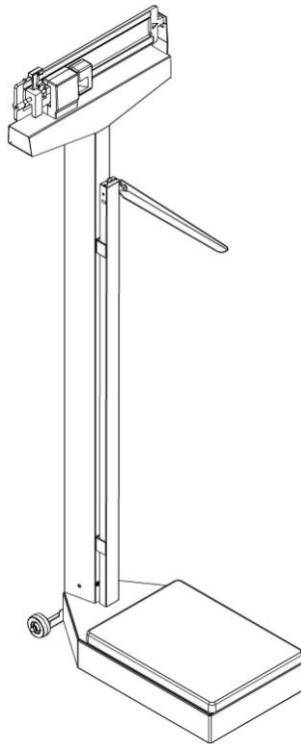


**Medical beam scale**  
**ASSEMBLY & OPERATING INSTRUCTIONS**  
**RGT.B-200-RT**



## ■ Specifications

Model	RGT.B-200-RT
Max.	200kg(440lb)/160kg(350lb)/140kg(300lb)
Division	100g(1/4lb)
Class	Ⓜ
Range of measurement	75~200cm/29 1/2~78 1/2in
Division of measurement	0.5cm(1/4in)
Size of platform	37.5X27.5cm (LXW)
Overall dimension	56.5X43.5X148.5cm (LXWXH)
Deadweight	14.5kg

## ■ ASSEMBLY & OPERATING INSTRUCTIONS

Your scale is a precision instrument and should be handled accordingly. Remove all parts carefully to prevent scratching the finish. In assembling the parts, do not use force since the scale has been assembled at our plant and all parts will fit properly if instructions are followed.

Carton Contents : 1 Pillar/Beam, 1 Base, 1 wheels assembly, 1 measuring ruler, 8 screws and 8 washers.

1. Fix the column to the base using the 4 screws & washers in back and 2 screws & washers in front supplied. Fix the wheels assembly to the base using the 2 screws & washers. (See Fig. 1)

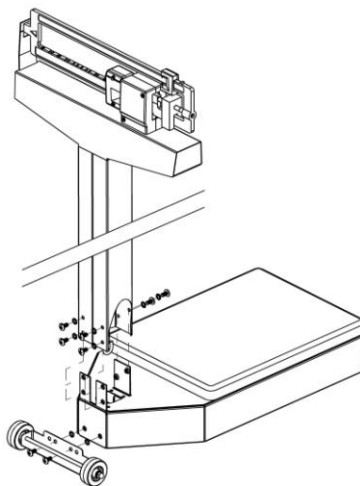


Fig. 1

2. Lay down the scale, with the column horizontal to the floor. Lift the lever and push the lever, Turn and hook the draught rod inside of the column with lever. (See Fig. 2)

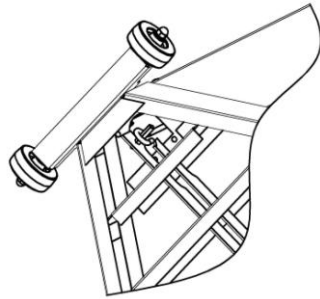


Fig. 2

3. Fix the measuring ruler to the two hexagonal-head screws pre-assembled on the column. (See Fig. 3)

Fix the measuring ruler by tightening the hexagonal-head screws using the relative wrench. Don't tighten too much!

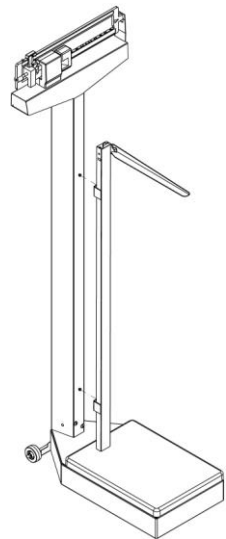


Fig. 3

## ■ Operating Instructions

### Zero Balance Adjustment

The scale should be checked periodically, particularly when moved, by following the instructions below:

1. Make certain scale is on a hard, level surface. Step on and off scale a few times in order to align all internal parts.
2. Place both poise weights on zero (see Fig 4). The beam pointer should float gently up and down and not touch the top

---

or bottom of the trig-loop.

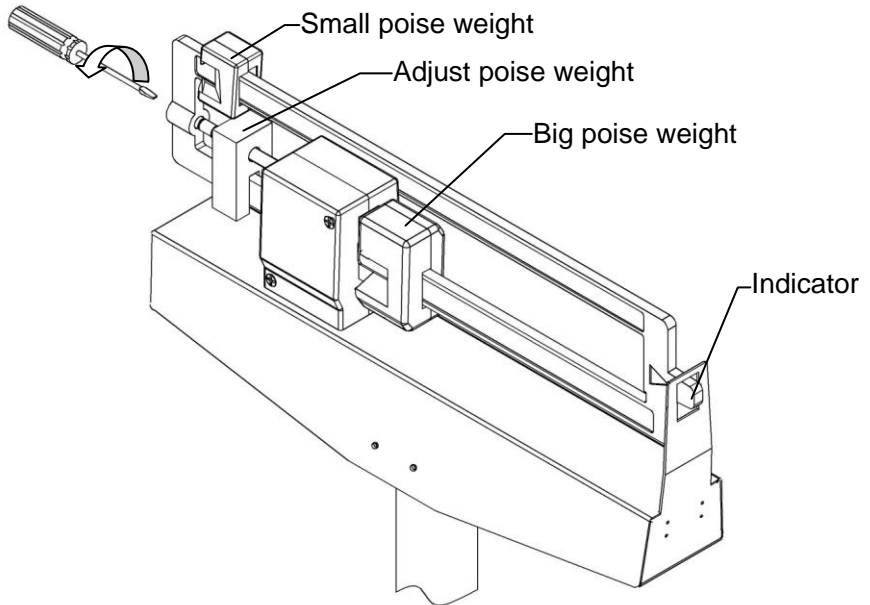


Fig.4

### **Weighing Instructions**

**1** Set the large and small poises to indicate your approximate weight.

**2** Step on the scale. Continue to adjust the small poise until the pointer is centered. NOTE: It is not necessary for you to wait for the pointer to stop moving in order to read your correct weight. As long as the pointer is moving equally in the trig-loop opening, the pointer would eventually come to rest in the center of the opening. Even when the pointer is not perfectly centered, as long as it is moving, you are within one quarter pound of your correct weight.

**3** Add the indicated reading of small poise to the indicated reading of the large poise. The total is your weight.

### **Instruction for use of the height rod:**

**1** Before stepping onto the scale platform, the spoon should be placed to the horizontal position and be raised over the height of the person to be measured

**2**The person may now step onto the scale platform. The spoon should be held horizontally and above the person's head

**3** Lower the spoon carefully while keeping it horizontally till it touches the top of the person's head gently. If the person is shorter than 101,5 cm., push the latch to the right and lower the spoon till it rests horizontally on the top of the person's head.

**4** Get the height of the person as follows:

- If the back of the spoon points to the outer height rod, then the height it points is the person's height.

- If the back of the spoon points to the inner height rod, then the person's height should be read from the top to the outer height rod (see the arrow on the outer height rod)

**5** Raise the spoon horizontally above the person's head, the person may now step off the scale platform. Hold the spoon horizontally till the person leaves the scale

**6** Put back the spoon to the vertical position and adjust the height rod back to the rest position (i.e. the spoon should be locked in the original place in the range of the inner height rod and the inner height rod should be at its lowest position).

### **NINGBO YIFENG LIFECARE IMPORT AND EXPORT CO., LIMITED**

Address: 18<sup>TH</sup> FLOOR, HENGFU BUILDING 1, NO. 828 FUMING ROAD, NINGBO, CHINA

TEL: 0086-574-87482339 / FAX: 8657487487171

MOB: 13736178445 / Wechat: 13736178445

E-mail: [sugar@yflifecare.com](mailto:sugar@yflifecare.com) / Skype: anncear