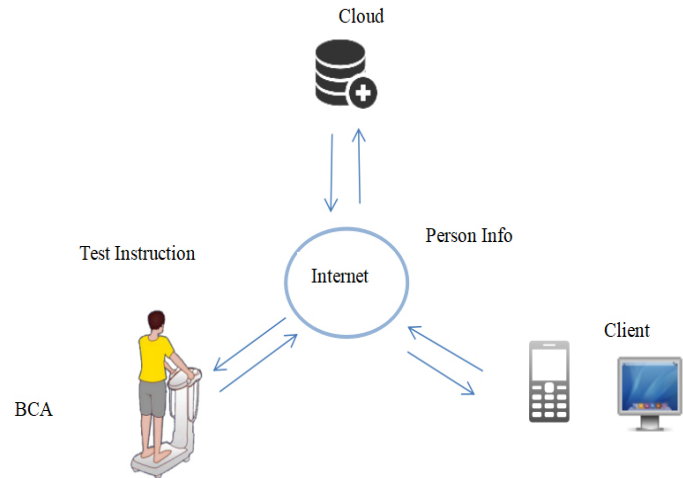


BCA Network Module

BCA network module is a peripheral part designed to work with our BCA series Body Composition Analyzer, make the device more convenient to operate through your mobile devices or cloud backend.

- Connect to WiFi / Intranet automatically.
- Operate BCA through mobile phone/tablet/PC by WiFi/bluetooth.
- Test results uploaded to cloud automatically.
- Make more printers available for BCA.
- Develop your own App on web API.

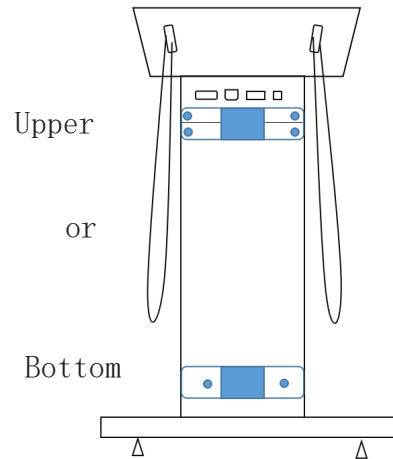
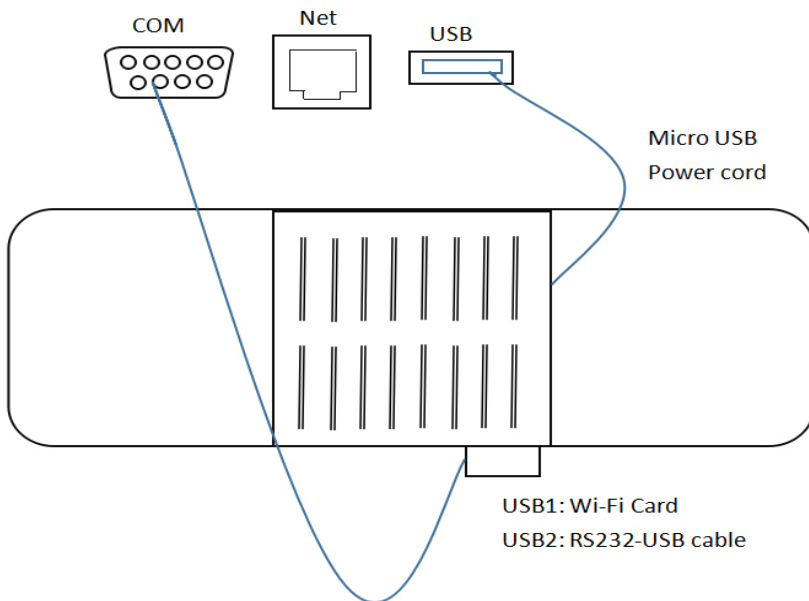


Connection

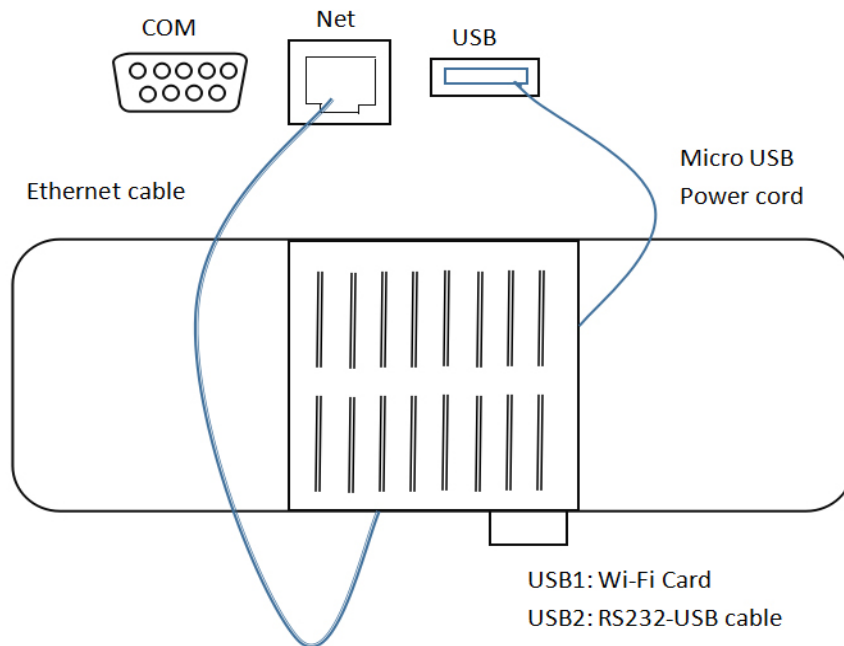
We recommend different connection mode for different BCA device model.

For BCA-2A/1D, it use ethernet to communicate with this module, so we connect module to BCA with ethernet cable.

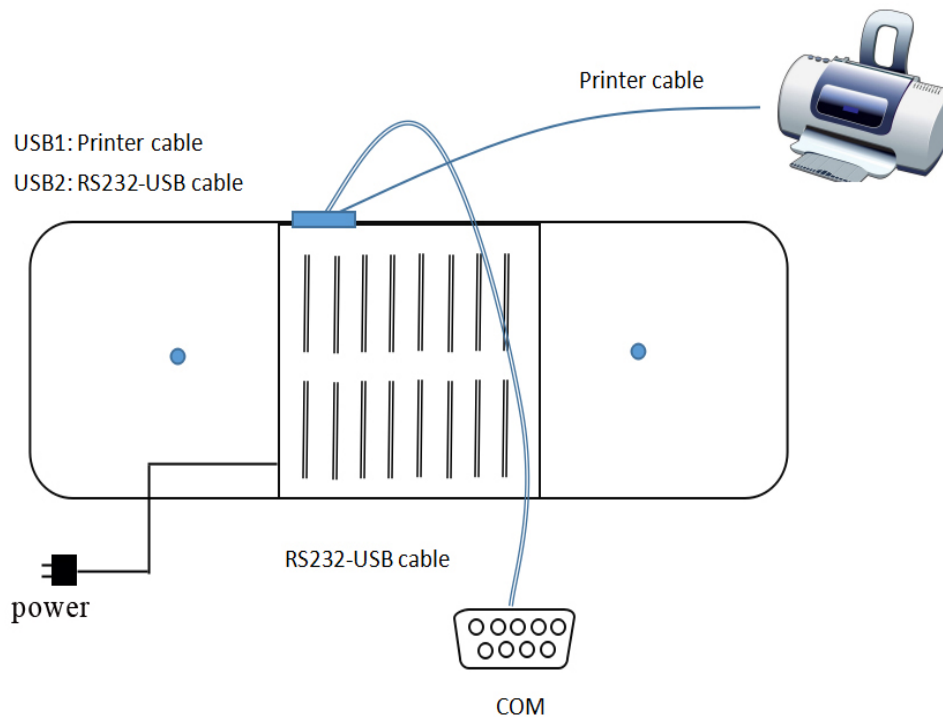
For BCA-1A/1B, it use serial(RS232) port to communicate with this module, so we connect module to BCA with RS232-USB cable.



Connect module to BCA through RS232-USB cable (For BCA 1A/1B)



Connect module to BCA through ethernet cable (For BCA 2A/1D)



Connect module to BCA through RS232-USB cable (For BCA-1C)
 Printer connection is optional, or you can use a USB wifi (for WiFi connection) to take the place.

Configuration

Before your first use, you need to config the module.

1. Power on the module (plug in micro usb power cord).
2. Use your mobile phone/pad/laptop to connect the hotspot "**BCA-AP**", which is a wireless hotspot powered by the module. The password is "12345678".
3. Use your browser to open the url: **192.168.9.1/en**, you will see the BCA control center home page. (if you visit 192.168.9.1, use password 6688 to get into control page).

Basic Configuration

In control center page, press "Configuration" to enter Basic Configuration page. Fill the parameters as your situation. The Machine ID is labeled at the back of your module. It should not be changed!

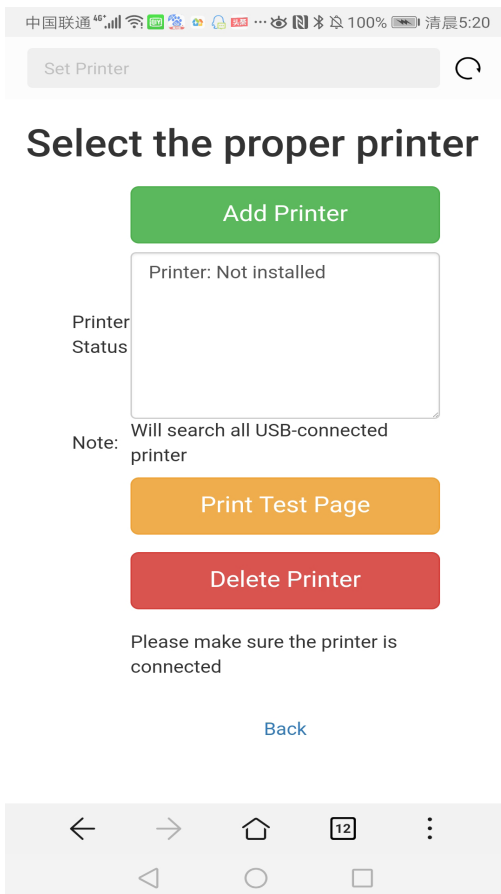
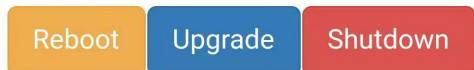
Printer Setup

After you connect to a printer, click "Printer Setup" to enter printer page. Press "Add Printer", to install your printer, in case your printer is detected, its driver will be installed. Try "Print Test Page".

BCA Control Center V4.1

IP:192.168.7.60

- [Configuration](#)
- [BCA running state](#)
- [Printer Setup](#)
- [Printing Position](#)
- [Set Date](#)
- [Wifi Setup](#)
- [Net Mode](#)
- [Web Test](#)
- [Records](#)



ATTENTION:

Our wireless module support the following printers:

HP LaserJet 1020 plus, HP LaserJet 1106, HP DeskJet 1112, Samsung ML2161

Other printers may not be supported.



Start a Test

There're 2 ways to start a web test:

(1) Connect your mobile phone to the BCA-AP hotspot, then browse 192.168.9.1/test, you can get to the web test page.

(2) If you have an App and using our API, connect the module to your local wifi/intranet, you can use your App to operate our BCA device.

*Please contact us for web API.

(3) In our web test page, input personal information, then press "Start Test", your BCA device will get into measurement process. After measurement finished, you press "Result", all result data will show in your phone.

(4) You can browse history records or print current record (in case your module is connected to a printer).

(5) In History Records page, all your test data and charts are available.

(6) From Index page, you can jump into "Records" page to check all the test records of anyone who have tested in the modules.

How to connect to Internet

There're 2 ways to connect your device to internet:


(1) Use ethernet wire. First change net mode to "Wired Mode", reboot your device and plug in a ethernet wire, the BCA device will be assigned a IP address by DHCP from your router. The IP is displayed in control page.

(2) If you have an Wifi, fill in your wifi account information in "Wifi Setup", then change net mode to Wifi Mode, then restart your device. The machine will automatically connect to your Wifi.

*On Wifi mode, BCA-AP hotspot is not available!

So, in case you failed to connect to your wifi, switch back to Default mode. (Click BCA screen to Inquiry page, reboot the network module, it will return to Default Mode again).

中国联通 100% 清晨5:19



Tester Information

* ID

* Name

* Sex

* Height

* BirthYear

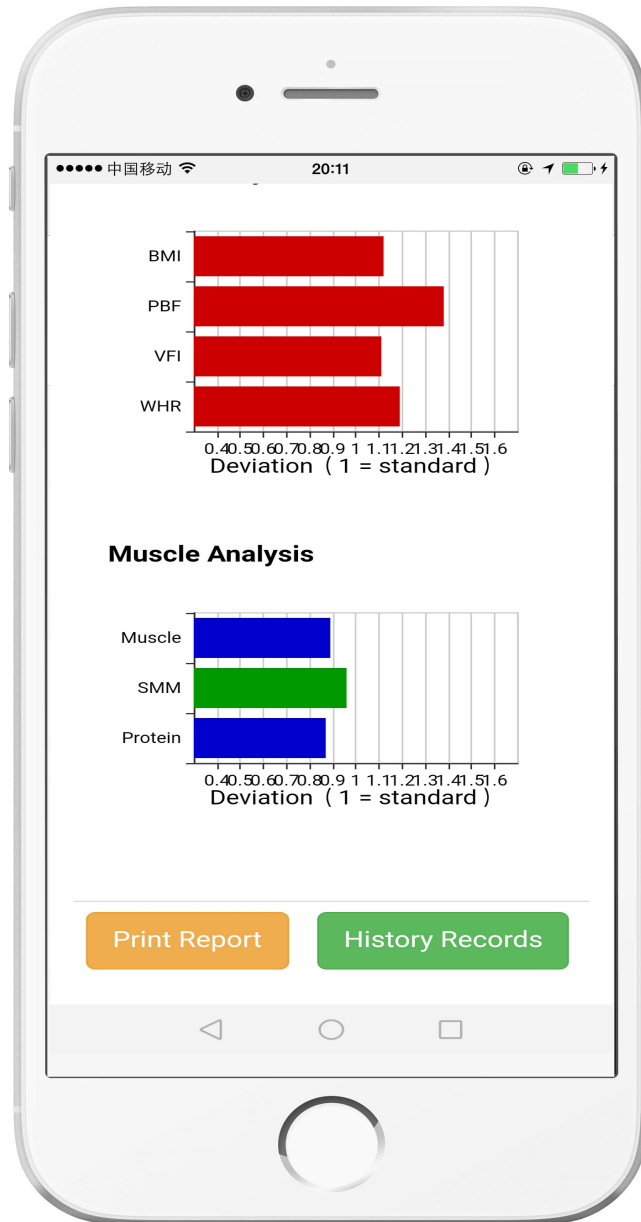
中国联通 100% 清晨5:17

Body Composition Analysis

ID:9 Name:Sandy Test Date:2019-03-22

62.9	45	1547.8
Score	Body Age	BMR(kcal)

Item	Result	Normal Scope
Weight(kg)	75.8	59.3-76.6
↑ Fat(kg)	26.2	13.6-21.2
↑ PBF(%)	34.6	18.0-28.0
↓ Water(kg)	36.1	40.9-50.0
↓ Muscle(kg)	46.3	46.9-57.3
↓ Protein(kg)	10.2	10.6-12.9
↓ Bone(kg)	3.2	3.4-4.2



Control your BCA at your finger

Tongfang Health Technology Co.,Ltd.